

ProtoPixel Duo V2 LED Controller

Overview

The ProtoPixel Duo is a dual output pixel LED controller with an integrated micro SD card reader. It can control popular IC's through Ethernet or Wi-Fi.

- 2 SPI pixel LED output.
- 2400 RGB or 1800 RGBW pixel in total @27 fps.
- Standalone mode via Wi-fi and web app.
- Up to 10 Duos in standalone mode, all the devices must be in the same IP Network
- Streaming controller with ProtoPixel Node
- Art-Net SPI Controller
- 3 years warranty

Supported LED ICs

WS2811, WS2812, WS2812B, WS2813, WS2815, Neopixel, SK6812, GW6205, UCS1903, UCS1903B, UCS2904 and CS8812 protocol families.

Communications

Ethernet 10BASE-T
100BASE-TX

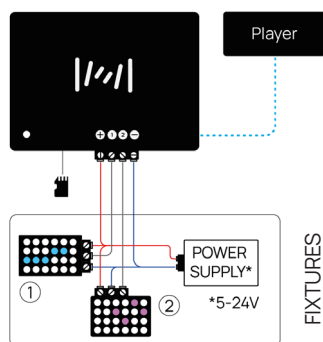
Wi-Fi IEEE802.11bgn

Environmental

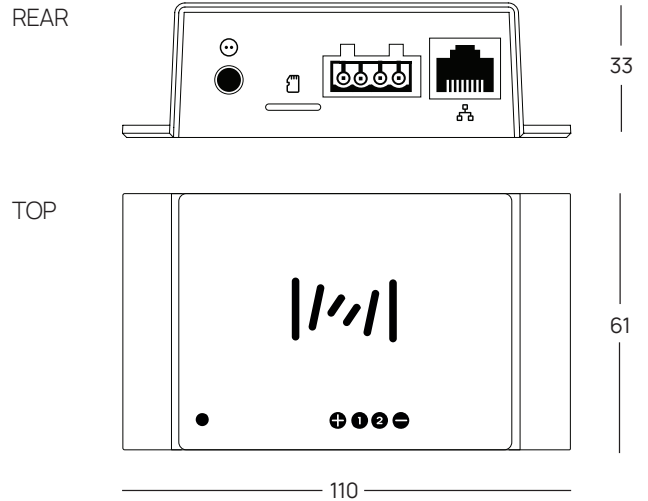
Operating Temperature -10°C to 40°C

IP Rating IP30

Standalone installation



You can find more resources at our [Zendesk Help Center](#)



Dimensions

Width	110 mm
Depth	61 mm
Height	33 mm
Weight	90 gr

Power*

Input Voltage	5 - 24 VDC
Current Consumption	250mA@5V Idle: 90mA@5V

*Power Supply not included

Control

Max. of LED per Outlet RGB: up to 1200 pixels at 27FPS
RGBW: up to 900 pixels at 27FPS

Framerate min: 27 FPS (using max. Pixels per Outlet)
max: > 500 FPS (using 1 Pixel per Outlet)

Status Indicators

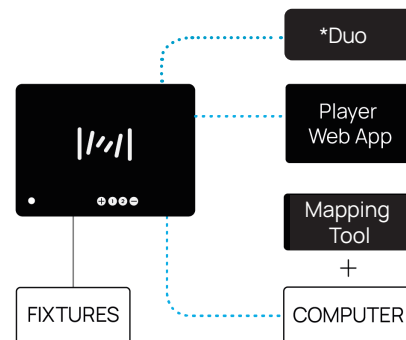
1 LED RGB Color and pattern indicate the device status

Wiring

LED Outlets 1 Pluggable terminal block (4 Ways-Black)
Max Section: 2.5 mm²

Essential Setup using Wi-Fi

(*) Orchestration Mode



Essential Setup using Ethernet

(*) Orchestration Mode

