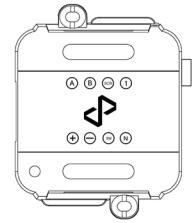


# Gate SPI Wireless



## Warnings

- Install the device next to the luminaire
- Control via Protopixel App using Wi-Fi technology
- 5 cables needed (+, -, SW, N, 1):

### 01. Two cables for Gate power supply (+, -)

Input voltage 5 - 48 Vdc, and maximum current 250mA

### 02. One cable for connection with LED strip (1)

Cable type: cat6-SFTP cable double shielded  
Maximum 1.5m between the Gate and LED strip

### 03. Two cables for connecting pushbutton (SW, N)

Input voltage 220 Vac

- Up to 1200 pixels RGB at 30 fps or 600 pixels RGB at 60 fps

Note: For more precise and higher-quality dimming, it is advisable to configure the content recording at 600 pixels RGB and 60 fps

- Device-to-device communication via BLE-Mesh

Maximum 10m between each device  
Maximum 12 elements in each Wireless installation  
BLE limitation of 5 hops

- It is recommended that the first element of the installation be the element closest to the router



Protopixel SL, C/ de Cristóbal de Moura,  
49, 08019, Barcelona Spain  
+34 677 421 758  
Made in Spain  
protopixel.io


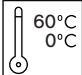


## Overview

The Gate SPI Wireless is a scalable and wireless-ready solution for SPI lighting control. Use it standalone for small projects or integrate it with a Brain for larger setups. It enables local control via standard pushbuttons: simple, powerful, and efficient.

The Gate SPI Wireless comes with default contents, allowing you to use the device right away as a plug-and-play solution. These contents also help verify that the connected LED strip is working correctly. A microSD card is included for uploading your own custom content using the Mapping Tool.

- 1x SPI pixel LED output
- Up to 1200 pixels RGB at 30 fps or 600 pixels RGB at 60 fps
- Maximum distance of 1.5 meters from the Gate to the luminaire
- Control up to 12 wireless devices directly from the Protopixel App
- Local control via pushbutton (AC-powered)
- Default contents for plug-and-play operation
- 3 years warranty

## Technical characteristics

SUPPLY 5-48 VDC	SPI	VIN LOCAL CONTROL 9-270 VAC	IP20
 95% RH	 60°C 0°C		

**A** SPI terminal

An LED strip can be connected up to 1.5 m from the device.

**B** Power supply

The device operates with a voltage range of 5–48 VDC and is powered directly from the same supply as the connected LED strip.

**D** LED indicator

Indicator	Category	Description
● Blue Fast Fade In/Out	Wi-Fi	The device is not connected to any installation and is waiting to be added to one.
● Blue On	Wi-Fi	The device is connected to an installation (wired or wireless).
● White Slow Fade In/Out	Operations	SPI Gate booting.
● Cyan Blue On	Operations	Firmware is being updated.
● Red Slow Fade In/Out	Alarms	Error in the firmware update.
● Red Fast Fade In/Out	Alarms	Internal error.
● Purple On	Content	The device is not connected to any installation and the default content is activated.
● White Fast Flicker	Operations	The device is being reseted.
● White Intense Flicker	Operations	The device is being factory reseted.

**E** Button

Function	Action	Description
Enter test mode	Press and hold 3s	Press for 3s to activate default content mode.
Exit test mode	Press and hold 3s	Press for 3s again to exit default content mode.
Default content	Soft click	Navigate through the default contents.
Reset	Press and hold 5s	Press for 5s to reset the device without changing configuration.
Factory reset	Press and hold 10s	Press for 10s to restore all settings to factory defaults. The recordings on the SD will be preserved.

**C** Local control input (SW, N)

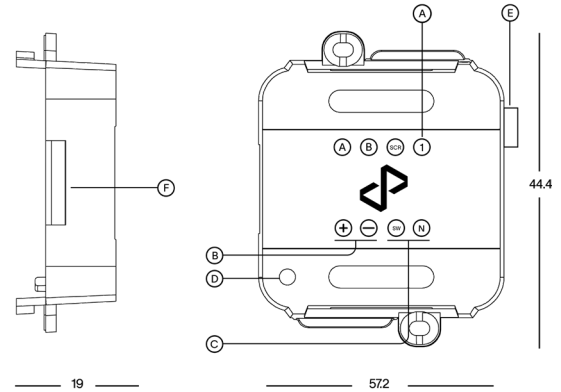
A standard pushbutton can be added to manage the product locally.

**F** SD card

Includes a microSD card for uploading custom content. The Gate SPI Wireless is supplied with preloaded default content to allow immediate plug-and-play operation and to verify correct LED strip functionality.

## References

All measures indicated in mm



## Connection diagram

